

# JVC

## SERVICE MANUAL

### CD RECEIVER

**KW-XG56TU, KW-XR411E, KW-XR411EU,  
KW-XR411EY, KW-XR414UI, KW-XR416DU,  
KW-XR416DUH, KW-XR416DUN,  
KW-XR416SUN, KW-XR416U, KW-XR416UH,  
KW-XR416UN, KW-XR416UP, KW-XR416UT,  
KW-XR417EE, KW-XR418J**

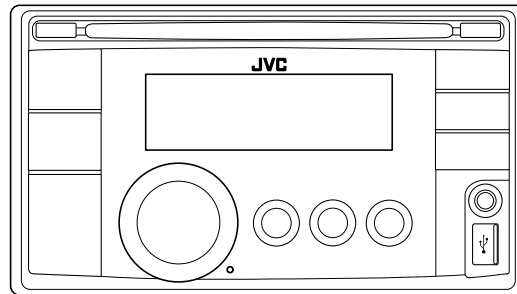


only KW-XR418

**MP3  
WMA**



except  
KW-XR411/KW-XR417



**Radio Data System**

for KW-XR411/KW-XR417

Lead free solder used in the board (material : Sn-Ag-Cu, melting point : 219 Centigrade)

Lead free solder used in the board (material : Sn-Cu, melting point : 230 Centigrade)

### TABLE OF CONTENTS

1	PRECAUTION .....	1-5
2	SPECIFIC SERVICE INSTRUCTIONS .....	1-8
3	DISASSEMBLY .....	1-9
4	ADJUSTMENT .....	1-17
5	TROUBLESHOOTING .....	1-22

# SPECIFICATION

## KW-XR418

### AUDIO AMPLIFIER SECTION

Power Output	20 W RMS × 4 Channels at 4 Ω and < 1% THD+N	
Signal-to-Noise Ratio	80 dBA (reference: 1 W into 4 Ω)	
Load Impedance	4 Ω (4 Ω to 8 Ω allowance)	
Tone Control Range	Bass	±12 dB (60 Hz, 80 Hz, 100 Hz, 200 Hz) Q1.0, Q1.25, Q1.5, Q2.0
	Middle	±12 dB (0.5 kHz, 1.0 kHz, 1.5 kHz, 2.5 kHz) Q0.75, Q1.0, Q1.25
	Treble	±12 dB (10.0 kHz, 12.5 kHz, 15.0 kHz, 17.5 kHz) Q (Fixed)
Frequency Response	40 Hz to 20 000 Hz	
Line-Out Level/Impedance	2.5 V/20 kΩ load (full scale)	
Subwoofer-Out Level/Impedance	2.5 V/20 kΩ load (full scale)	
Output Impedance	1 kΩ	
Other Terminal	USB input terminal, AUX (auxiliary) input jack, Antenna input, Steering wheel remote input	

### TUNER SECTION

Frequency Range	FM	87.5 MHz to 107.9 MHz (with channel interval set to 100 kHz or 200 kHz)	
		87.5 MHz to 108.0 MHz (with channel interval set to 50 kHz)	
	AM	530 kHz to 1 710 kHz (with channel interval set to 10 kHz)	
		531 kHz to 1 602 kHz (with channel interval set to 9 kHz)	
FM Tuner	Usable Sensitivity	9.3 dBf (0.8 μV/75 Ω)	
	50 dB Quieting Sensitivity	16.3 dBf (1.8 μV/75 Ω)	
	Alternate Channel Selectivity (400 kHz)	65 dB	
	Frequency Response	40 Hz to 15 000 Hz	
	Stereo Separation	40 dB	
AM Tuner	Sensitivity/Selectivity	20 μV/40 dB	

### CD PLAYER SECTION

Type	Compact disc player		
Signal Detection System	Non-contact optical pickup (semiconductor laser)		
Number of channels	2 channels (stereo)		
Frequency Response	5 Hz to 20 000 Hz		
Dynamic Range	96 dB		
Signal-to-Noise Ratio	98 dB		
Wow and Flutter	Less than measurable limit		
MP3 Decoding Format	MPEG1/2 Audio Layer 3		
	Max. Bit Rate: 320 kbps		
WMA (Windows Media® Audio) Decoding Format	Max. Bit Rate: 320 kbps		

### USB SECTION

USB Standard	USB 1.1, USB 2.0		
Data Transfer Rate (Full Speed)	Max. 12 Mbps		
Compatible Device	Mass storage class		
Compatible File System	FAT 32/16/12		
Playable Audio Format	MP3/WMA		
Max. Current	DC 5 V 500 mA		

### GENERAL

Power Requirement	Operating Voltage	DC 14.4 V (11 V to 16 V allowance)	
Grounding System	Negative ground		
Allowable Operating Temperature	0°C to +40°C (32°F to 104°F)		
Dimensions (W × H × D)	Installation Size (approx.)	182 mm × 111 mm × 160 mm (7-3/16" × 4-3/8" × 6-5/16")	
	Panel Size (approx.)	188 mm × 117 mm × 23 mm (7-7/16" × 4-5/8" × 5/16")	
Mass (approx.)	1.8 kg(3.9 lbs) (excluding accessories)		

Designs & specifications are subject to change without notice.

<b>KW-XR411/KW-XR417</b>		
<b>AUDIO AMPLIFIER SECTION</b>		
Maximum Power Output	Front/Rear	50 W per channel
Continuous Power Output (RMS)	Front/Rear	20 W per channel into 4 $\Omega$ , 40 Hz to 20 000 Hz at no more than 1% total harmonic distortion.
Load Impedance		4 $\Omega$ (4 $\Omega$ to 8 $\Omega$ allowance)
Tone Control Range	Bass	$\pm 12$ dB (60 Hz, 80 Hz, 100 Hz, 200 Hz) Q1.0, Q1.25, Q1.5, Q2.0
	Middle	$\pm 12$ dB (0.5 kHz, 1.0 kHz, 1.5 kHz, 2.5 kHz) Q0.75, Q1.0, Q1.25
	Treble	$\pm 12$ dB (10.0 kHz, 12.5 kHz, 15.0 kHz, 17.5 kHz) Q (Fixed)
Frequency Response		40 Hz to 20 000 Hz
Signal-to-Noise Ratio		70 dB
Line-Out Level/Impedance		2.5 V/20 k $\Omega$ load (full scale)
Subwoofer-Out Level/Impedance		2.5 V/20 k $\Omega$ load (full scale)
Output Impedance		1 k $\Omega$
Other Terminal	AUX (auxiliary) input jack, USB input terminal, Aerial input, Steering wheel remote input	
<b>TUNER SECTION</b>		
Frequency Range	FM	87.5 MHz to 108.0 MHz
	FM-LO (KW-XR417)	65.0 MHz to 74.0 MHz
	AM	MW: 522 kHz to 1 620 kHz
		LW: 144 kHz to 279 kHz
	Usable Sensitivity	9.3 dBf (0.8 $\mu$ V/75 $\Omega$ )
	50 dB Quieting Sensitivity	16.3 dBf (1.8 $\mu$ V/75 $\Omega$ )
	Alternate Channel Selectivity (400 kHz)	65 dB
	Frequency Response	40 Hz to 15 000 Hz
Stereo Separation	40 dB	
MW Tuner	Sensitivity	20 $\mu$ V
	Selectivity	40 dB
LW Tuner	Sensitivity	50 $\mu$ V
<b>CD PLAYER SECTION</b>		
Type	Compact disc player	
Signal Detection System	Non-contact optical pickup (semiconductor laser)	
Number of Channels	2 channels (stereo)	
Frequency Response	5 Hz to 20 000 Hz	
Dynamic Range	96 dB	
Signal-to-Noise Ratio	98 dB	
Wow and Flutter	Less than measurable limit	
MP3 Decoding Format: (MPEG1/2 Audio Layer 3)	Max. Bit Rate: 320 kbps	
WMA (Windows Media® Audio) Decoding Format	Max. Bit Rate: 320 kbps	
<b>USB SECTION</b>		
USB Standard	USB 1.1, USB 2.0	
Data Transfer Rate (Full Speed)	Max. 12 Mbps	
Compatible Device	Mass storage class	
Compatible File System	FAT 32/16/12	
Playable Audio Format	MP3/WMA	
Max. Current	DC 5 V 500 mA	
<b>GENERAL</b>		
Power Requirement	Operating Voltage	DC 14.4 V (11 V to 16 V allowance)
Grounding System	Negative ground	
Allowable Operating Temperature	0°C to +40°C	
Dimensions (W $\times$ H $\times$ D): (approx.)	Installation Size	182 mm $\times$ 111 mm $\times$ 160 mm
	Panel Size	188 mm $\times$ 117 mm $\times$ 23 mm
Mass	1.8 kg (excluding accessories)	

Designs & specifications are subject to change without notice.

**KW-XR416/KW-XR414/KW-XG56TU****AUDIO AMPLIFIER SECTION**

Maximum Power Output	Front/Rear	50 W per channel
Continuous Power Output (RMS)	Front/Rear	20 W per channel into 4 $\Omega$ , 40 Hz to 20 000 Hz at no more than 1% total harmonic distortion.
Load Impedance		4 $\Omega$ (4 $\Omega$ to 8 $\Omega$ allowance)
Tone Control Range	Bass	$\pm 12$ dB (60 Hz, 80 Hz, 100 Hz, 200 Hz) Q1.0, Q1.25, Q1.5, Q2.0
	Middle	$\pm 12$ dB (0.5 kHz, 1.0 kHz, 1.5 kHz, 2.5 kHz) Q0.75, Q1.0, Q1.25
	Treble	$\pm 12$ dB (10.0 kHz, 12.5 kHz, 15.0 kHz, 17.5 kHz) Q (Fixed)
Frequency Response		40 Hz to 20 000 Hz
Signal-to-Noise Ratio		70 dB
Line-Out Level/Impedance		5.0 V/20 k $\Omega$ load (full scale)
Subwoofer-Out Level/Impedance		5.0 V/20 k $\Omega$ load (full scale)
Output Impedance		1 k $\Omega$
Other Terminal		AUX (auxiliary) input jack, USB input terminal, Antenna input

**TUNER SECTION**

Frequency Range	FM	87.5 MHz to 108.0 MHz
	AM	531 kHz to 1 602 kHz
FM Tuner	Usable Sensitivity	9.3 dBf (0.8 $\mu$ V/75 $\Omega$ )
	50 dB Quieting Sensitivity	16.3 dBf (1.8 $\mu$ V/75 $\Omega$ )
	Alternate Channel Selectivity (400 kHz)	65 dB
	Frequency Response	40 Hz to 15 000 Hz
	Stereo Separation	40 dB
AM Tuner	Sensitivity	20 $\mu$ V
	Selectivity	40 dB

**CD PLAYER SECTION**

Type	Compact disc player
Signal Detection System	Non-contact optical pickup (semiconductor laser)
Number of Channels	2 channels (stereo)
Frequency Response	5 Hz to 20 000 Hz
Dynamic Range	96 dB
Signal-to-Noise Ratio	98 dB
Wow and Flutter	Less than measurable limit
MP3 Decoding Format: (MPEG1/2 Audio Layer 3)	Max. Bit Rate: 320 kbps
WMA (Windows Media® Audio) Decoding Format	Max. Bit Rate: 320 kbps

**USB SECTION**

USB Standard	USB 1.1, USB 2.0
Data Transfer Rate (Full Speed)	Max. 12 Mbps
Compatible Device	Mass storage class
Compatible File System	FAT 32/16/12
Playable Audio Format	MP3/WMA
Max. Current	DC 5 V 500 mA

**GENERAL**

Power Requirement	Operating Voltage	DC 14.4 V (11 V to 16 V allowance)
Grounding System		Negative ground
Allowable Operating Temperature		0°C to +40°C
Dimensions (W $\times$ H $\times$ D): (approx.)	Installation Size	178 mm $\times$ 100 mm $\times$ 160 mm
	Panel Size	184 mm $\times$ 112 mm $\times$ 23 mm
Mass		1.4 kg (excluding accessories)

Designs & specifications are subject to change without notice.

# SECTION 1 PRECAUTION

## 1.1 Safety Precautions

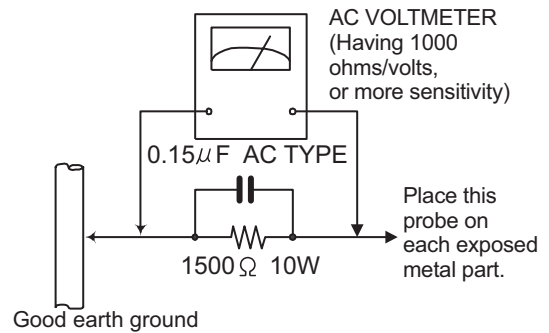
- (1) This design of this product contains special hardware and many circuits and components specially for safety purposes. For continued protection, no changes should be made to the original design unless authorized in writing by the manufacturer. Replacement parts must be identical to those used in the original circuits. Services should be performed by qualified personnel only.
- (2) Alterations of the design or circuitry of the product should not be made. Any design alterations of the product should not be made. Any design alterations or additions will void the manufacturer's warranty and will further relieve the manufacturer of responsibility for personal injury or property damage resulting therefrom.
- (3) Many electrical and mechanical parts in the products have special safety-related characteristics. These characteristics are often not evident from visual inspection nor can the protection afforded by them necessarily be obtained by using replacement components rated for higher voltage, wattage, etc. Replacement parts which have these special safety characteristics are identified in the Parts List of Service Manual. Electrical components having such features are identified by shading on the schematics and by ( $\Delta$ ) on the Parts List in the Service Manual. The use of a substitute replacement which does not have the same safety characteristics as the recommended replacement parts shown in the Parts List of Service Manual may create shock, fire, or other hazards.
- (4) The leads in the products are routed and dressed with ties, clamps, tubings, barriers and the like to be separated from live parts, high temperature parts, moving parts and/or sharp edges for the prevention of electric shock and fire hazard. When service is required, the original lead routing and dress should be observed, and it should be confirmed that they have been returned to normal, after reassembling.
- (5) Leakage shock hazard testing

After reassembling the product, always perform an isolation check on the exposed metal parts of the product (antenna terminals, knobs, metal cabinet, screw heads, headphone jack, control shafts, etc.) to be sure the product is safe to operate without danger of electrical shock. Do not use a line isolation transformer during this check.

- Plug the AC line cord directly into the AC outlet. Using a "Leakage Current Tester", measure the leakage current from each exposed metal part of the cabinet, particularly any exposed metal part having a return path to the chassis, to a known good earth ground. Any leakage current must not exceed 0.5mA AC (r.m.s.).
- Alternate check method  
Plug the AC line cord directly into the AC outlet. Use an AC voltmeter having, 1,000 $\Omega$  per volt or more sensitivity in the following manner. Connect a 1,500 $\Omega$  10W resistor paralleled by a 0.15 $\mu$ F AC-type capacitor between an exposed metal part and a known good earth ground. Measure the AC voltage across the resistor with the AC

voltmeter.

Move the resistor connection to each exposed metal part, particularly any exposed metal part having a return path to the chassis, and measure the AC voltage across the resistor. Now, reverse the plug in the AC outlet and repeat each measurement. Voltage measured any must not exceed 0.75 V AC (r.m.s.). This corresponds to 0.5 mA AC (r.m.s.).



## 1.2 Warning

- (1) This equipment has been designed and manufactured to meet international safety standards.
- (2) It is the legal responsibility of the repairer to ensure that these safety standards are maintained.
- (3) Repairs must be made in accordance with the relevant safety standards.
- (4) It is essential that safety critical components are replaced by approved parts.
- (5) If mains voltage selector is provided, check setting for local voltage.

## 1.3 Caution

**Burrs formed during molding may be left over on some parts of the chassis.**

**Therefore, pay attention to such burrs in the case of pre-forming repair of this system.**

## 1.4 Critical parts for safety

In regard with component parts appearing on the silk-screen printed side (parts side) of the PWB diagrams, the parts that are printed over with black such as the resistor (■), diode (■) and ICP (●) or identified by the " $\Delta$ " mark nearby are critical for safety. When replacing them, be sure to use the parts of the same type and rating as specified by the manufacturer. (This regulation does not Except the J and C version)

## 1.5 Preventing static electricity

Electrostatic discharge (ESD), which occurs when static electricity stored in the body, fabric, etc. is discharged, can destroy the laser diode in the traverse unit (optical pickup). Take care to prevent this when performing repairs.

### 1.5.1 Grounding to prevent damage by static electricity

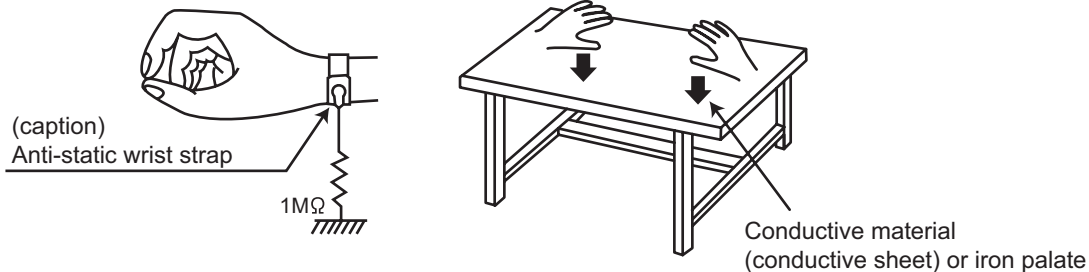
Static electricity in the work area can destroy the optical pickup (laser diode) in devices such as laser products. Be careful to use proper grounding in the area where repairs are being performed.

(1) Ground the workbench

Ground the workbench by laying conductive material (such as a conductive sheet) or an iron plate over it before placing the traverse unit (optical pickup) on it.

(2) Ground yourself

Use an anti-static wrist strap to release any static electricity built up in your body.



(3) Handling the optical pickup

- In order to maintain quality during transport and before installation, both sides of the laser diode on the replacement optical pickup are shorted. After replacement, return the shorted parts to their original condition. (Refer to the text.)
- Do not use a tester to check the condition of the laser diode in the optical pickup. The tester's internal power source can easily destroy the laser diode.

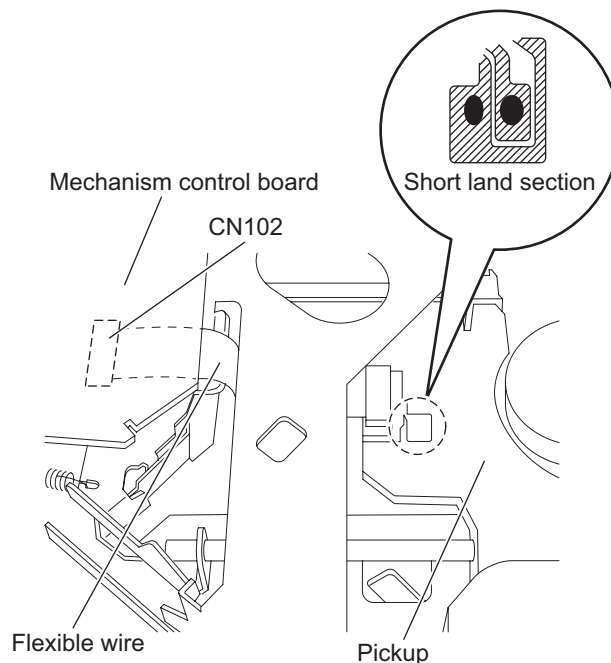
## 1.6 Handling the traverse unit (optical pickup)

- (1) Do not subject the traverse unit (optical pickup) to strong shocks, as it is a sensitive, complex unit.
- (2) Cut off the shorted part of the flexible cable using nippers, etc. after replacing the optical pickup. For specific details, refer to the replacement procedure in the text. Remove the anti-static pin when replacing the traverse unit. Be careful not to take too long a time when attaching it to the connector.
- (3) Handle the flexible cable carefully as it may break when subjected to strong force.
- (4) It is not possible to adjust the semi-fixed resistor that adjusts the laser power. Do not turn it.

## 1.7 Attention when traverse unit is decomposed

**\*Please refer to "Disassembly method" in the text for the pickup unit.**

- Apply solder to the short land sections before the card wire is disconnected from the connector on the servo board. (If the card wire is disconnected without applying solder, the pickup may be destroyed by static electricity.)
- In the assembly, be sure to remove solder from the short land sections after connecting the card wire.



## 1.8 Important for laser products

### 1. CLASS 1 LASER PRODUCT

#### 2. CAUTION :

(For U.S.A.) Visible and/or invisible class II laser radiation when open. Do not stare into beam.

(Others) Visible and/or invisible class 1M laser radiation when open. Do not view directly with optical instruments.

**3. CAUTION :** Visible and/or invisible laser radiation when open and inter lock failed or defeated. Avoid direct exposure to beam.

**4. CAUTION :** This laser product uses visible and/or invisible laser radiation and is equipped with safety switches which prevent emission of radiation when the drawer is open and the safety interlocks have failed or are defeated. It is dangerous to defeat the safety switches.

(For U.S.A.)

**CAUTION :** Visible and/or invisible class II laser radiation when open. Do not stare into beam.

(Others)

**CAUTION :** Visible and/or invisible class 1M laser radiation when open. Do not view directly with optical instruments

**ACHTUNG:** Sichtbare und/oder unsichtbare Laserstrahlung der Klasse 1M bei offenen Abdeckungen. Nicht direkt mit optischen Instrumenten betrachten.

**ATTENTION:** Rayonnement laser visible et/ou invisible de classe 1M une fois ouvert. Ne pas regarder directement avec des instruments optiques.

**VOORZICHTIG:** Zichtbare en/of onzichtbare klasse 1M laserstralen indien geopend. Bekijk niet direct met optische instrumenten.

**ATTENZIONE:** Radiazione laser in classe 1M visibile e/o invisibile quando aperto. Non osservare direttamente con strumenti ottici.

**WARNING:** Synlig och/eller osynlig laserstrålning, klass 1M, när denna del är öppnad. Betrakta ej strålen med optiska instrument.

**VARO!** Avattaessa olet alttiina näkyvälle ja/tai näkymättömälle luokan 1M lasersäteilylle. Älä tarkastele sitä optisen laitteen läpi.

**ADVARSEL:** Synlig og/eller usynlig klasse 1M-laserstråling ved åbning. Se ikke direkte med optiske instrumenter.

**AVISO:** Radiación láser de clase 1M visible y/o invisible cuando está abierto. No mirar directamente con instrumental óptico.

**PRECAUÇÃO:** Radiação laser de classe 1M visível e/ou invisível quando aberto. Não olhe diretamente com instrumentos ópticos.

**5. CAUTION :** If safety switches malfunction, the laser is able to function.

**6. CAUTION :** Use of controls, adjustments or performance of procedures other than those specified here in may result in hazardous radiation exposure.



**CAUTION** Please use enough caution not to see the beam directly or touch it in case of an adjustment or operation check.

**PRECAUÇÃO:** Radiação laser de classe 1M visível e/ou invisível quando aberto. Não olhe diretamente com instrumentos ópticos.

**ПРЕДУПРЕЖДЕНИЕ:** В открытом состоянии происходит видимое и/или невидимое излучение лазера класса 1M. Не смотрите непосредственно в оптические инструменты.

**UWAGA:** Otwarcie spowoduje narażenie na widzialne i/lub niewidzialne promieniowanie lasera klasy 1M. Nie patrzeć bezpośrednio w przyrządy optyczne.

**UPOZORNĚNÍ:** Při otevření vydává viditelné popř. neviditelné laserové ozáření třídy 1M. Nedívejte se do otvoru přímo s optickými nástroji.

**FIGYELMEZTETÉS:** Látható és/vagy láthatatlan 1M osztályú sugárzás nyitott állapotban. Ne nézze közvetlenül optikai műszerekkel.

注意：打開蓋板可能會產生可見或不可見的 1M 級鐳射。不要使用光學儀器直接進行窺視。

注意：打开盖板可能会产生可见或不可见的 1M 级鐳射。不要使用光学仪器直接进行窥视。

**تنبيه:** يوجد إشعاع ليزري مرئي و/أو غير مرئي من الفئة 1M عندما يكون الجهاز مفتوحاً. تجنب النظر مباشرة داخل الجهاز باستخدام أدوات بصرية.

احتياط: هنگامی که باز گردد، تشعشع مرئی و یا نامرئی کلاس 1M لیزر وجود دارد. با لوازم چشمی مستقیماً به آن نگاه نکنید.

**주의:** 개방하면 가지 및/또는 비가시 클래스 1M 레이저 방사선이 나옵니다. 광학 기구로 직접 들여다보지 마십시오.

## REPRODUCTION AND POSITION OF LABELS and PRINT WARNING LABEL and PRINT



<b>CAUTION</b> VISIBLE AND/OR INVISIBLE CLASS 1M LASER RADIATION WHEN OPEN. DO NOT VIEW DIRECTLY WITH OPTICAL INSTRUMENTS. IEC80025-1:2001 (ENG)	<b>ATTENTION</b> RAYONNEMENT LASER VISIBLE ET/OU INVISIBLE DE CLASSE 1M UNE FOIS OUVERT. NE PAS REGARDER DIRECTEMENT AVEC DES INSTRUMENTS OPTIQUES. (FRA)	<b>AVISO</b> RADIACIÓN LÁSER DE CLASE 1M VISIBLE Y/O INVISIBLE CUANDO ESTA ABIERTO. NO MIRAR DIRECTAMENTE CON INSTRUMENTAL ÓPTICO. (ESP)	<b>VARNING</b> SYNLIG OCH/ELLER OSYNLIG LASERSTRÅLNING, KLASS 1M, NÄR DENNA DEL ÄR ÖPPNAD. BETRAKTA EJ STRÅLEN MED OPTISKA INSTRUMENT. (SWE)	<b>注意</b> ここに書くと可視 及び/または不可視 のクラス 1M レーザー放射が 出ます。 光学顕微鏡で直接 覗かないでください。 LIPN	<b>CAUTION</b> VISIBLE AND/OR INVISIBLE CLASS 1 LASER RADIATION WHEN OPEN. DO NOT STARE INTO BEAM. FDM 21 CFI (ENG) LV44803-003A
--	--	---	---	--	--

**SECTION 2**  
**SPECIFIC SERVICE INSTRUCTIONS**

This service manual does not describe SPECIFIC SERVICE INSTRUCTIONS.



## SECTION 3 DISASSEMBLY

### 3.1 Main body (Used model: KW-XR418)

#### 3.1.1 Removing the Front panel (See Fig.1)

- (1) Remove the two screws **A** attaching the both side of the Front panel.
- (2) Disengage four hooks **a** engaged both side of the Front panel.

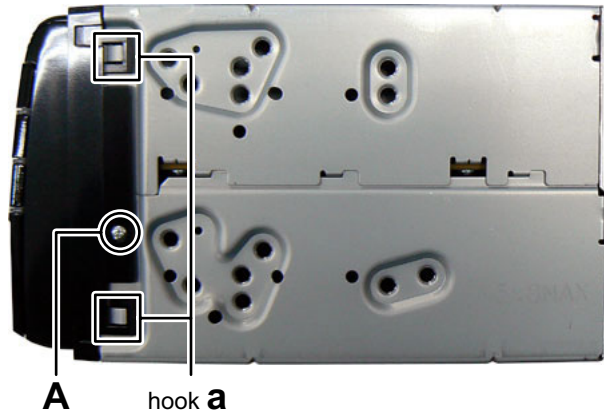


Fig.1

#### 3.1.2 Removing the Bottom chassis (See Fig.2, 3)

- (1) Remove the two screws **B** attaching the both side of the Bottom chassis. (See Fig.2)



Fig.2

- (2) Remove the three screws **C** attaching the Bottom chassis. (See Fig.3)
- (3) Remove the two screws **D** and two screws **E** attaching the Heat sink. (See Fig.3)
- (4) Remove the three screws **F** and one screw **G** attaching the Rear bracket. (See Fig.3)

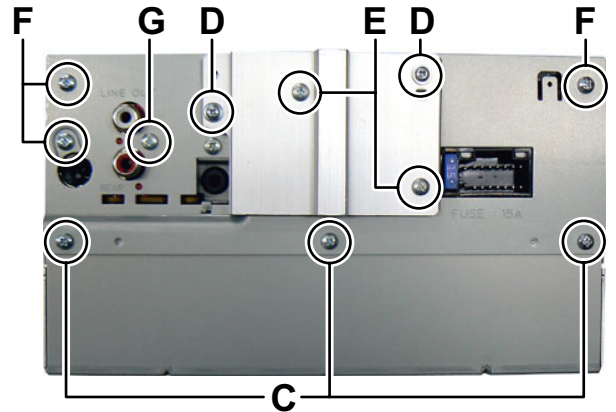


Fig.3

#### 3.1.3 Removing the Main board (See Fig.4, 5)

- (1) Remove the two screws **H** and one screw **J** attaching the Side plate. (See Fig.4)

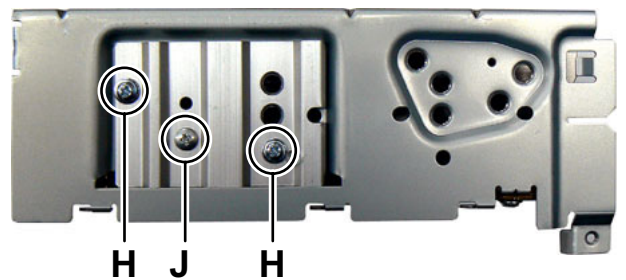


Fig.4

- (2) Remove the three screws **K** attaching the Main board. (See Fig.5)
- (3) Disconnect B-B connector [CN501](#) of the Main board connected the CD mechanism and Main board. (See Fig.5)

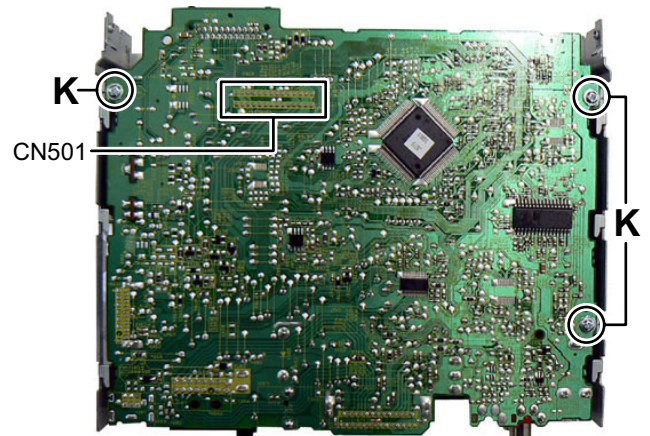


Fig.5

### 3.1.4 Removing the CD mechanism (See Fig.6)

- (1) Remove the three screws **L** attaching the CD mechanism.

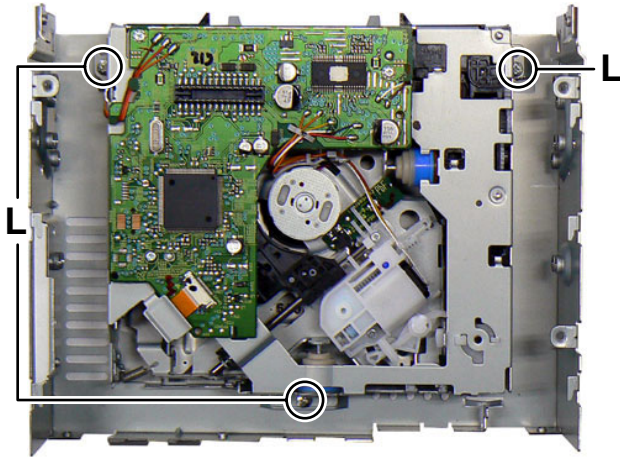


Fig.6

### 3.2 CD MECHANISM assembly section

- Remove the CD MECHANISM assembly from the main body.

#### 3.2.1 Removing the MECHANISM CONTROL BOARD assembly (See Fig.1 and 2)

- (1) From the bottom side of CD MECHANISM assembly, remove the solders from the soldered sections (**a**, **b** and **c**) on the MECHANISM CONTROL BOARD assembly. (See Fig.1.)
- (2) Remove the three screws **A** attaching the MECHANISM CONTROL BOARD assembly. (See Fig.1.)

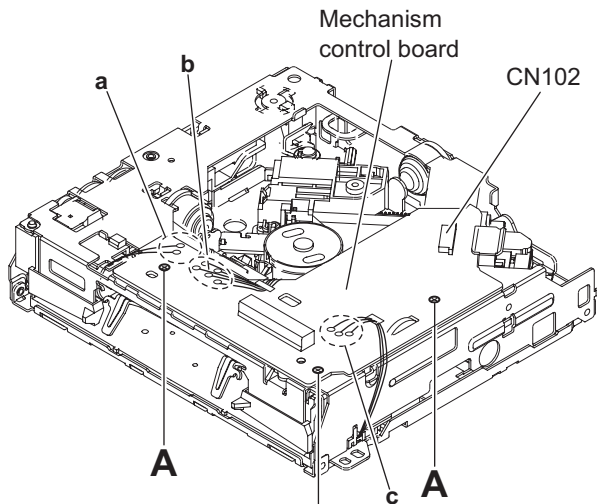


Fig.1

### 3.1.5 Removing the Switch board (See Fig.7)

- (1) Remove the Volume knob.
- (2) Remove the sixteen screws **M** attaching the Switch board.

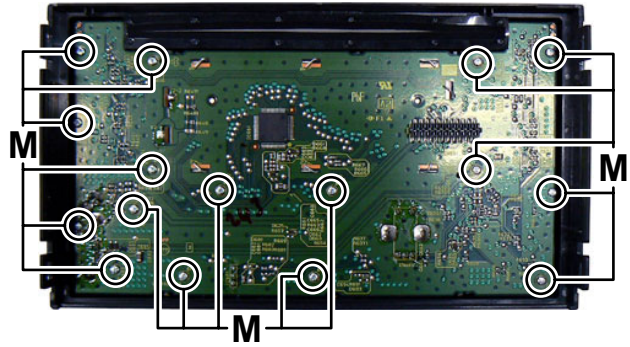


Fig.7

- (3) Solder the short land sections on the pickup. (See Fig.2.)

#### Caution:

- Solder the short land sections on the pickup before disconnecting the flexible wire from the connector **CN102** on the MECHANISM CONTROL BOARD assembly.  
If the card wire is disconnected without attaching solder, the pickup may be destroyed by static electricity. (See Fig.2.)
- When attaching the MECHANISM CONTROL BOARD assembly, remove the solders from the short land sections after connecting the flexible wire to the connector **CN102** on the MECHANISM CONTROL BOARD assembly.

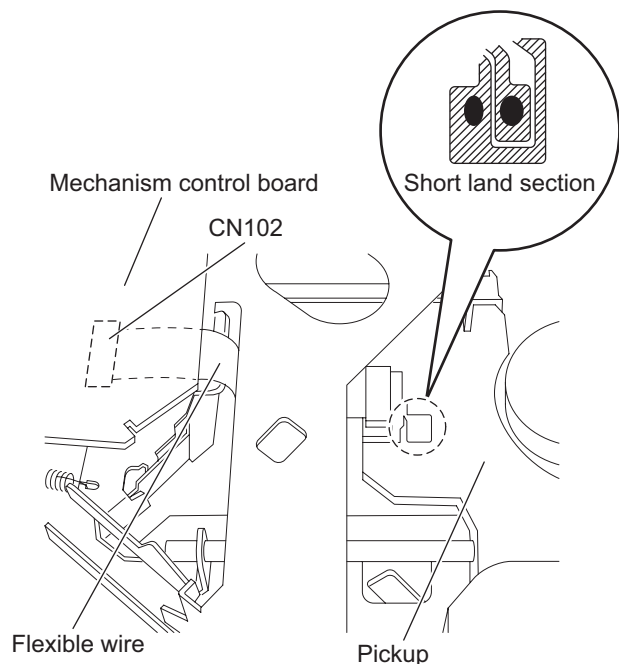


Fig.2

### 3.2.2 Removing the top cover (See Fig.3 to 5)

- Remove the MECHANISM CONTROL BOARD assembly.
  - From the front side of the CD MECHANISM assembly, change the hook position of the two roller springs. (See Fig.3.)

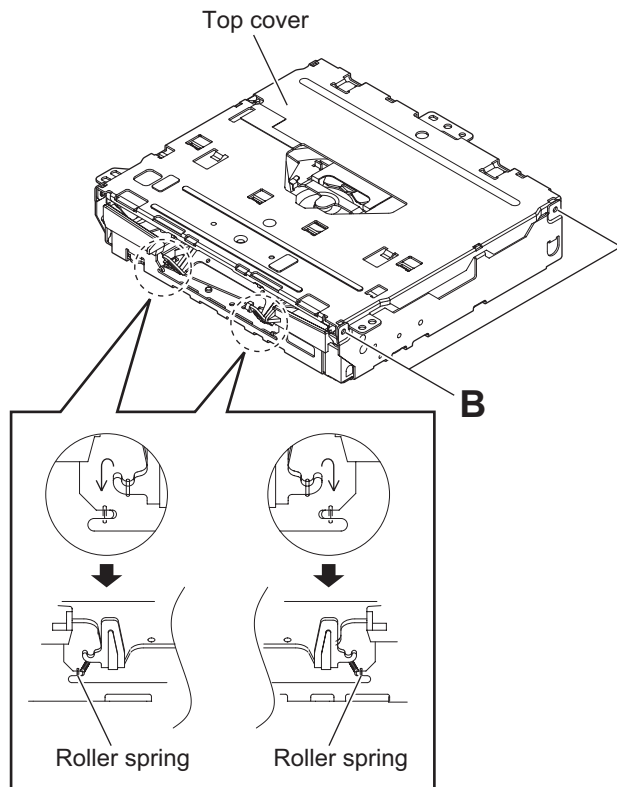


Fig.3

- From the side of the CD MECHANISM assembly, remove the six screws **B** attaching the top cover. (See Fig.3 and 4.)

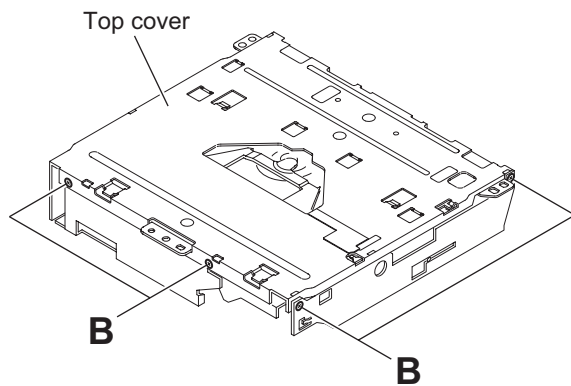


Fig.4

- Take out the top cover in an upward direction. (See Fig.5.)

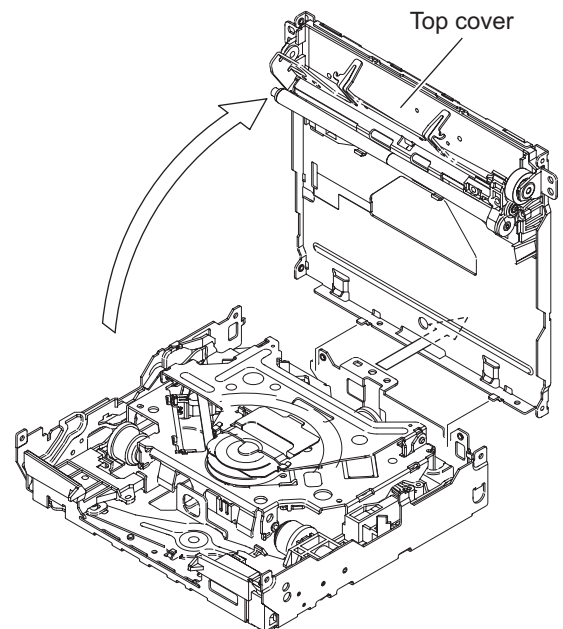


Fig.5

### 3.2.3 Removing the roller (See Fig.6)

- Remove the MECHANISM CONTROL BOARD assembly and top cover.
  - From the bottom side of the top cover, remove the screw **C** attaching the gear holder.
  - Remove the R.holder assembly from disc plate, and then take out the roller from R.holder assembly in the direction of the arrow.

#### Reference:

When attaching the R.ACT gear (2) and R.ACT gear (3), apply grease to the section **d** of R.holder assembly.

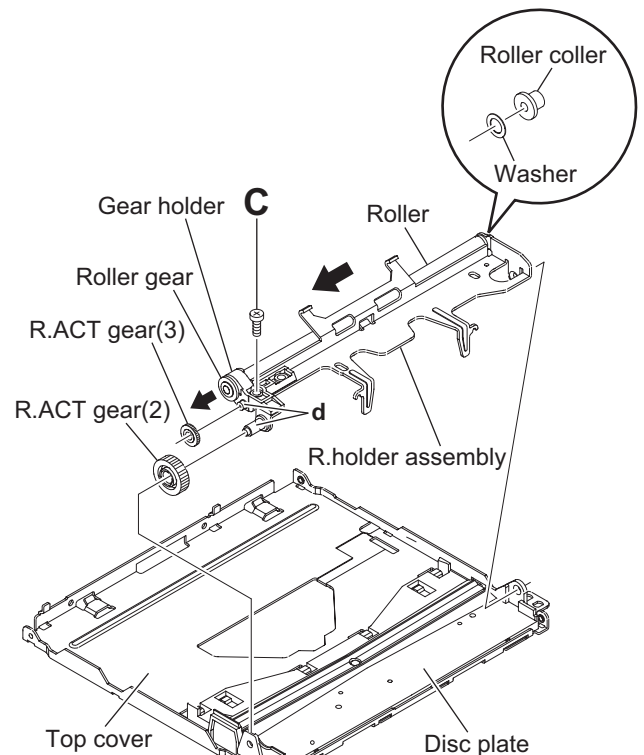
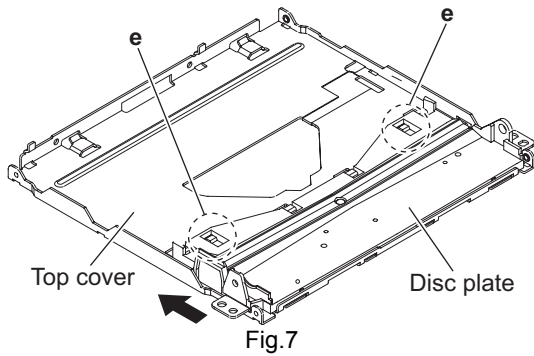


Fig.6

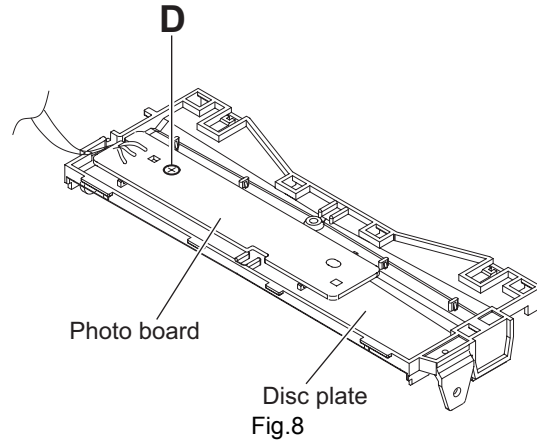


### 3.2.4 Removing the PHOTO BOARD assembly (See Fig.7 and 8)

- Remove the MECHANISM CONTROL BOARD assembly and top cover.
  - From the bottom side of the top cover, release the projection **e** from the notch of the disc plate. (See Fig.7.)
  - Take out the disc plate in the direction of the arrow. (See Fig.7.)

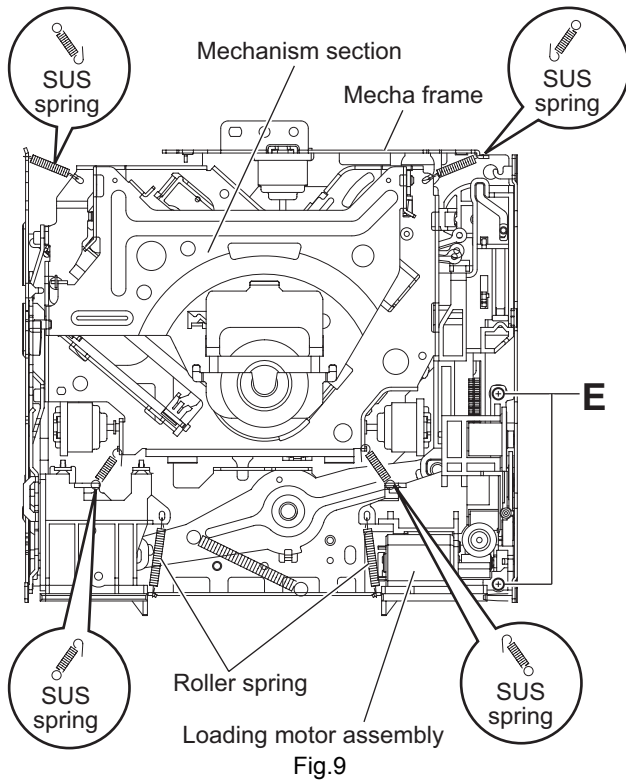


- From the reverse side of the disc plate, remove the screw **D** attaching the PHOTO BOARD assembly. (See Fig.8.)



### 3.2.5 Removing the mechanism section (See Fig.9 and 10)

- Remove the MECHANISM CONTROL BOARD assembly and top cover.
  - From the top side of the CD MECHANISM assembly, remove the two screws **E** attaching the loading motor assembly. (See Fig.9.)
  - Remove the two roller springs on the top side of the mecha frame. (See Fig.9.)
  - Remove the four SUS springs on the top side of the mecha frame. (See Fig.9.)



- Remove the link spring on the top side of the mecha frame. (See Fig.10.)
- Release section **f** of the three dampers from the mecha frame. (See Fig.10.)

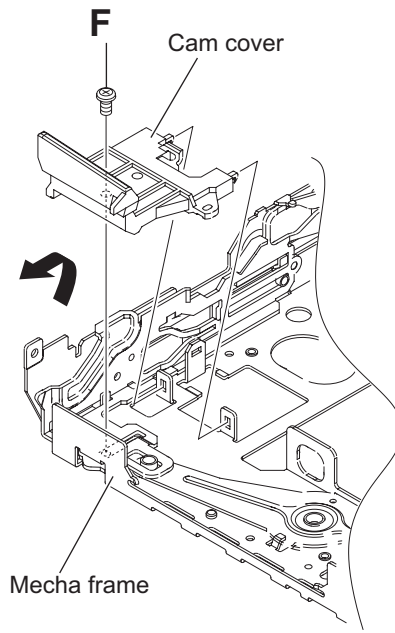
#### Reference:

When attaching the roller spring and SUS spring, keep direction before remove.

- Move the slide cam (R) assembly in the direction of the arrow, and then take out the mechanism section in an upward direction. (See Fig.10.)

#### Reference:

When attaching the mechanism section, apply grease to the section **g**. (See Fig.10.)



### 3.2.6 Removing the slide cam (L) (See Fig.11 to 13)

- Remove the MECHANISM CONTROL BOARD assembly, top cover and mechanism section.
  - From the top side of the mecha frame, remove the screw **F** attaching the cam cover. (See Fig.11.)
  - Take out the cam cover from mecha frame in an upward direction. (See Fig.11.)

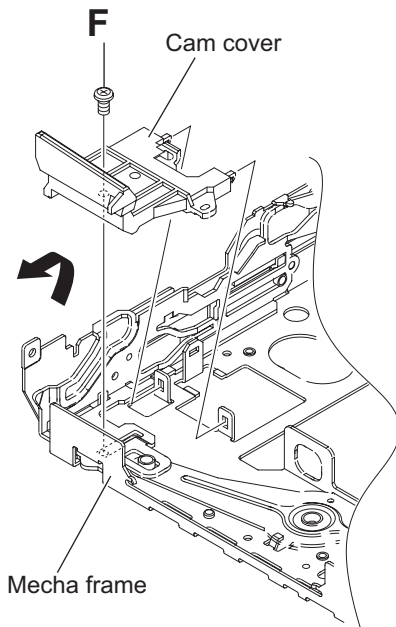


Fig.11

- Take out the slide cam (L) in the direction of the arrow. (See Fig.12.)

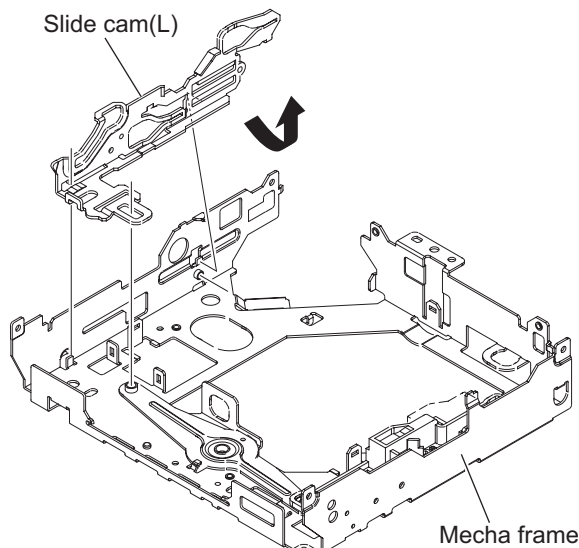


Fig.12

### Reference:

When attaching the slide cam (L), apply grease to the section **h**. (See Fig.13.)

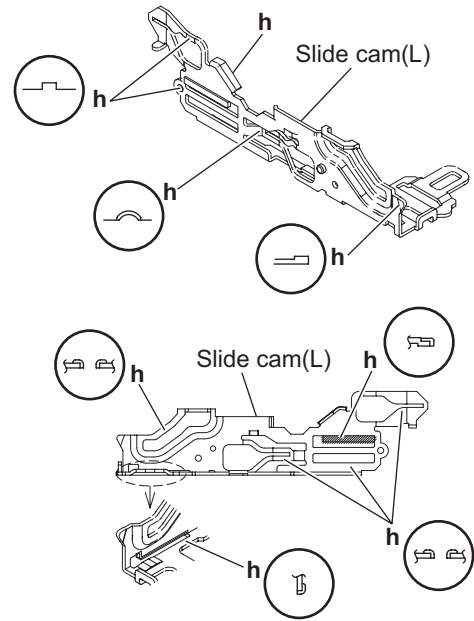


Fig.13

### 3.2.7 Removing the F.lock lever and slide cam (R) (See Fig.14 and 15)

- Remove the MECHANISM CONTROL BOARD assembly, top cover and mechanism section.
  - From the top side of the mecha frame, take out the slide cam (R) assembly in an upward direction. (See Fig.14.)
  - Rotate the F.lock lever in the direction of the arrow 1, and then take out the direction of the arrow 2. (See Fig.14.)

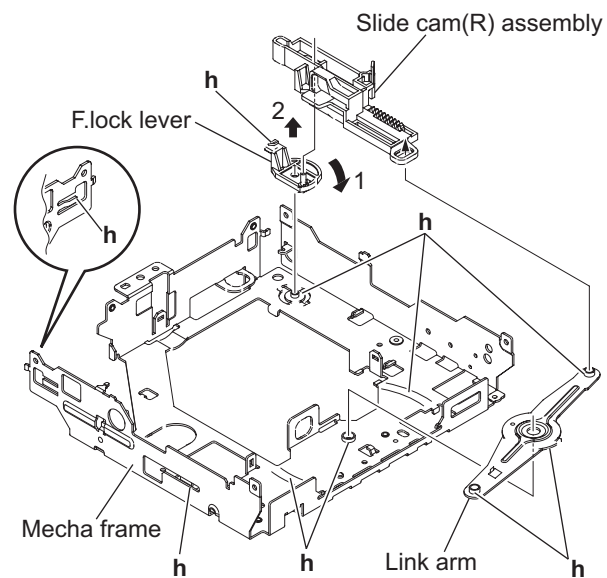


Fig.14

**Reference:**

When attaching the slide cam (R) assembly, the f.lock lever and the link arm apply grease to the section **h**. (See Fig.14 and 15.)

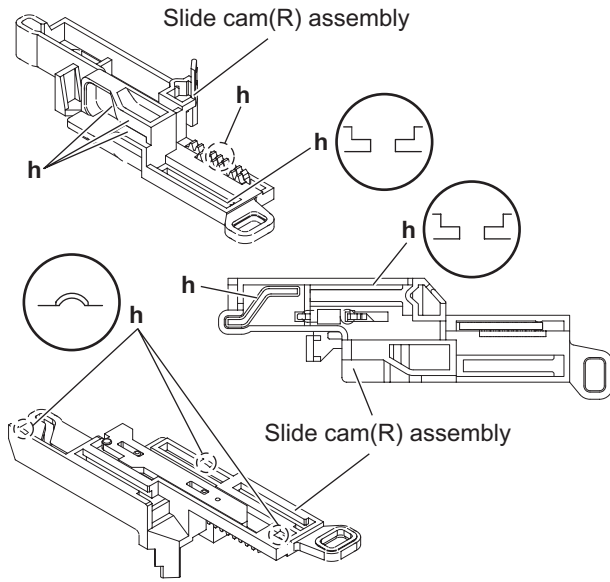


Fig.15

**3.2.8 Removing the damper (See Fig.16)**

- Remove the MECHANISM CONTROL BOARD assembly, top cover and mechanism section.  
From the mechanism section, pull out the three dampers in the direction of the arrow.

**Reference:**

Before inserting the shaft to the dampers, apply IPA to the pocket **j** of damper.

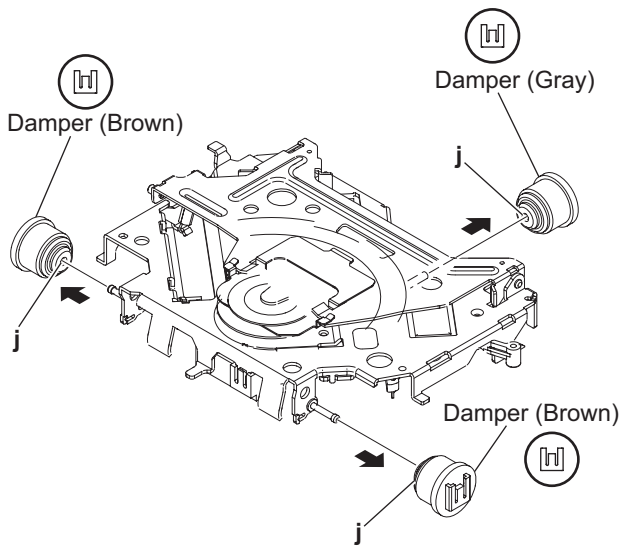


Fig.16

**3.2.9 Removing the clamper assembly (See Fig.17)**

- Remove the MECHANISM CONTROL BOARD assembly, top cover and mechanism section.
  - (1) From the top side of the mechanism section, release the clamper spring.
  - (2) Move the clamper assembly in the direction of the arrow, and then release the joints (**k** and **m**).
  - (3) Take out the clamper assembly from the T.M chassis assembly.

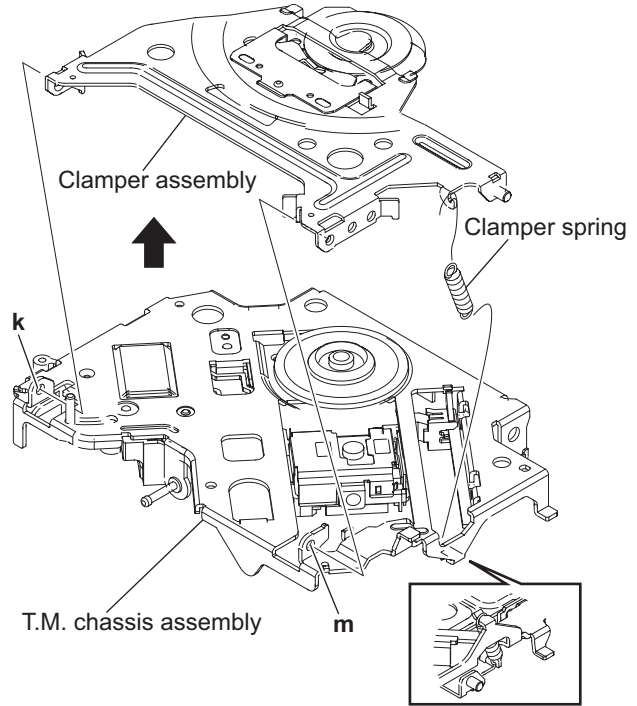


Fig.17

### 3.2.10 Removing the feed motor (See Fig.18 and 19)

- Remove the MECHANISM CONTROL BOARD assembly, top cover, mechanism section and clasper assembly.
- (1) From the bottom side of the T.M chassis assembly, remove the two screws **G** attaching the feed motor assembly. (See Fig.18.)

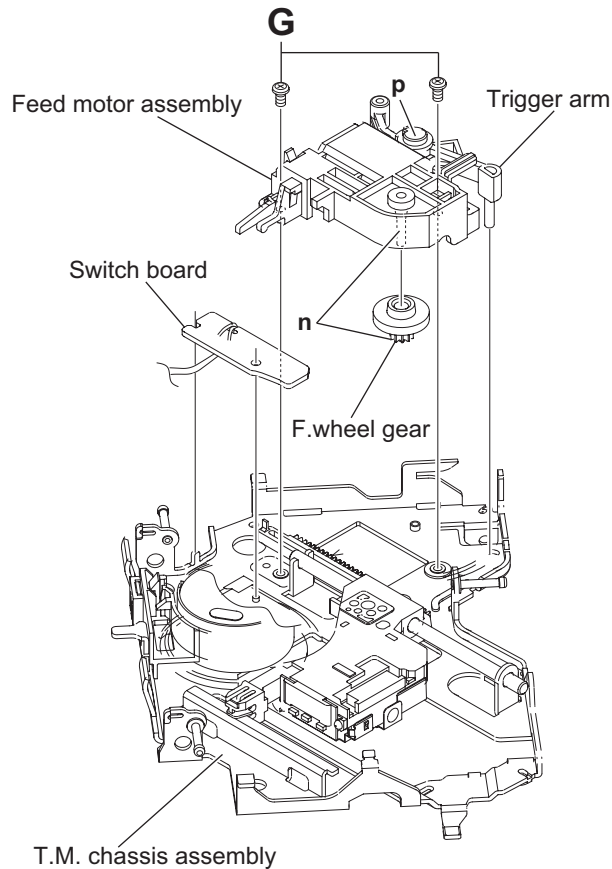


Fig.18

- (2) Remove the two screws **H** attaching the feed motor to f.motor holder. (See Fig.19.)

#### Reference:

When attaching the f. wheel gear, trigger arm and feed motor, apply grease to the sections (n, p and q). (See Fig.18 and 19.)

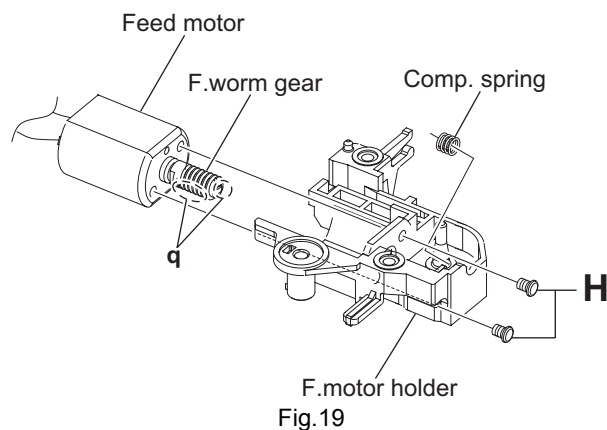


Fig.19

### 3.2.11 Removing the SWITCH BOARD assembly (See Fig.18)

- Remove the MECHANISM CONTROL BOARD assembly, top cover, mechanism section, clasper assembly and feed motor assembly.
- From the bottom side of the T.M chassis assembly, take out the SWITCH BOARD assembly in an upward direction from T.M chassis assembly.

### 3.2.12 Removing the loading motor (See Fig.20)

- Remove the MECHANISM CONTROL BOARD assembly, top cover, mechanism section and clasper assembly.
- (1) From the right side of the L.M base assembly, remove the two screws **J** attaching the loading motor.
- (2) Take out the loading motor in the direction of the arrow from the L.M base assembly.

#### Reference:

When attaching the loading motor, apply grease to the section r.

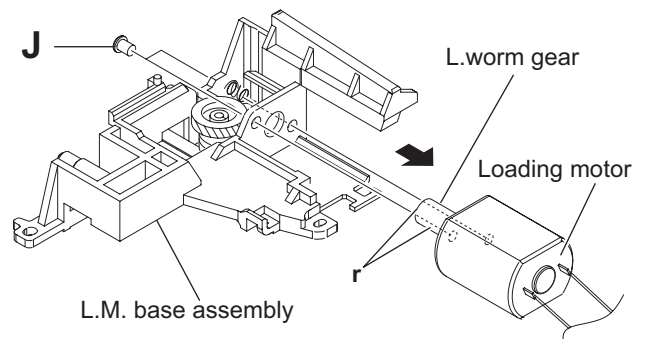


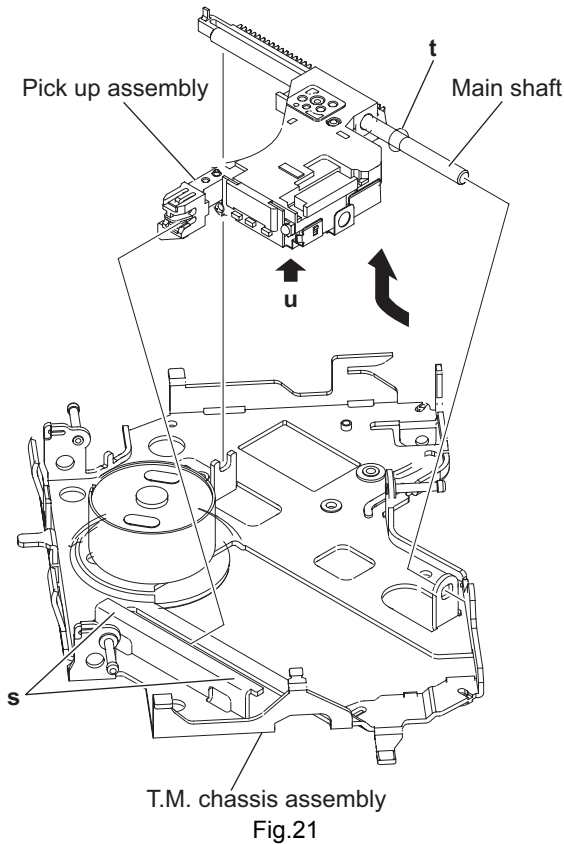
Fig.20

### 3.2.13 Removing the pickup assembly (See Fig.21 to 22)

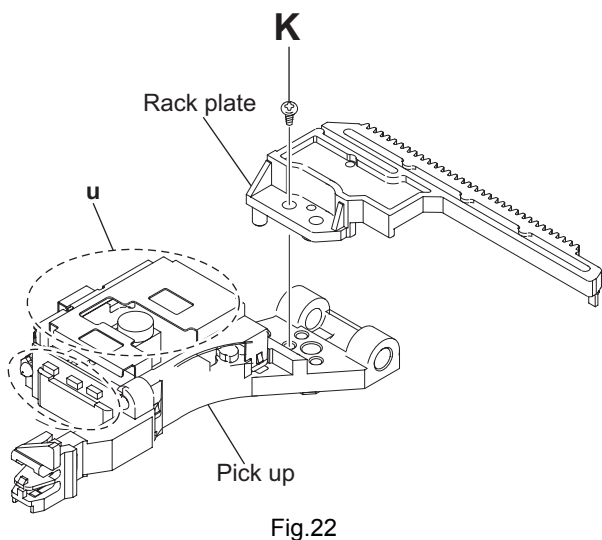
- Remove the MECHANISM CONTROL BOARD assembly, top cover, mechanism section, clamber assembly and feed motor assembly.

#### Caution:

- Do not touch section **u** on the pickup assembly. (See Fig.21 and 22.)
- From the bottom side of the T.M chassis assembly, move the pickup assembly in the direction of the arrow from the T.M chassis assembly. (See Fig.21.)
  - Pull out the main shaft. (See Fig.21.)



- Remove the screw **K** attaching the pickup to the rack plate. (See Fig.22.)

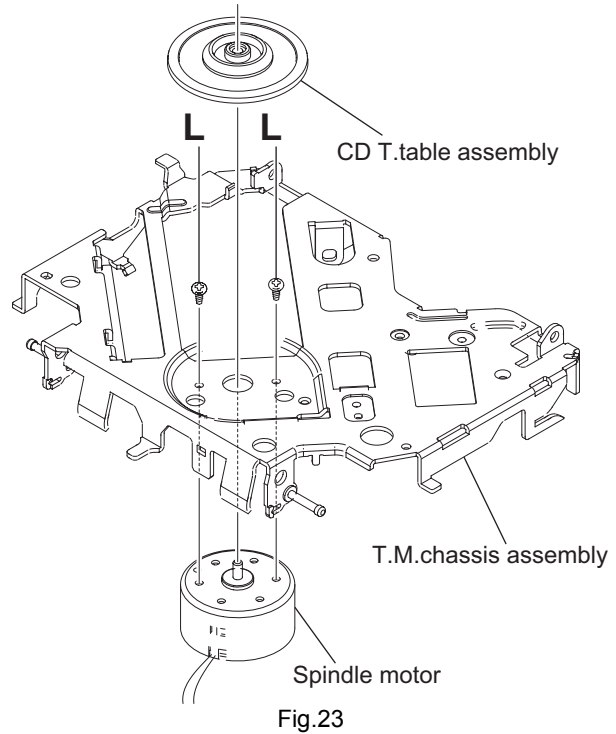


#### Reference:

When attaching the loading motor, apply grease to the sections **s** and **t**. (See Fig.21.)

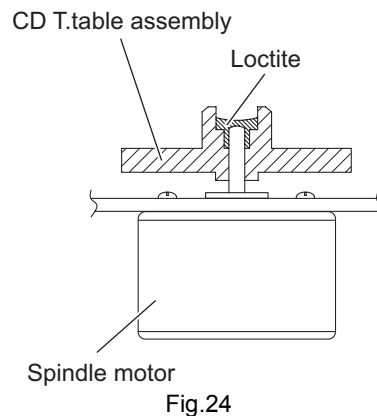
### 3.2.14 Removing the spindle motor (See Fig.23 and 24)

- Remove the MECHANISM CONTROL BOARD assembly, top cover, mechanism section, clamber assembly, feed motor assembly and pickup assembly.
- From the top side of the T.M chassis assembly, remove the CD T.table assembly from the spindle motor. (See Fig.23.)
  - Remove the two screws **L** attaching the spindle motor. (See Fig.23.)
  - Take out the spindle motor from the bottom side of the T.M chassis assembly. (See Fig.23.)



#### Reference:

When attaching the CD T.table assembly to the spindle motor shaft, apply loctite 460 to inside the CD T.table assembly. (See Fig.24.)





## SECTION 4 ADJUSTMENT

### 4.1 Test instruments required for adjustment

- (1) Digital oscilloscope (100MHz)
- (2) Digital tester
- (3) Test Disc
- (4) Extension cable : EXTCD004-28P

### 4.2 Standard measuring conditions

Power supply voltage DC14.4V(10.5 to 16V)  
Load impedance 20K ohm (2 Speakers connection)  
Output Level Line out 2.5V (Vol. MAX)

### 4.5 How to connect the extension cable for adjusting

#### Caution:

Be sure to attach the heat sink and rear bracket onto the power amplifier IC and regulator IC respectively, before supply the power.  
If voltage is applied without attaching these parts, the power amplifier IC and regulator IC will be destroyed by heat.

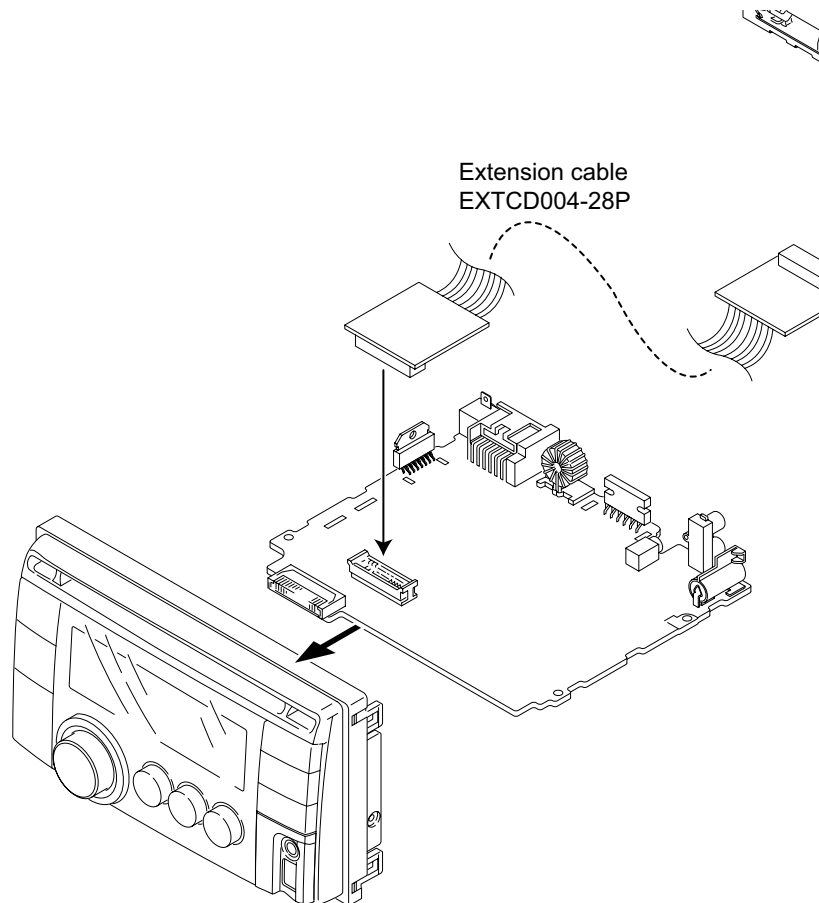
### 4.3 Standard volume position

Balance and Bass & Treble volume : Indication "0"  
Loudness : OFF

### 4.4 Dummy load

Exclusive dummy load should be used for AM, and FM.  
For FM dummy load, there is a loss of 6dB between SSG output and antenna input.

The loss of 6dB need not be considered since direct reading of figures are applied in this working standard.

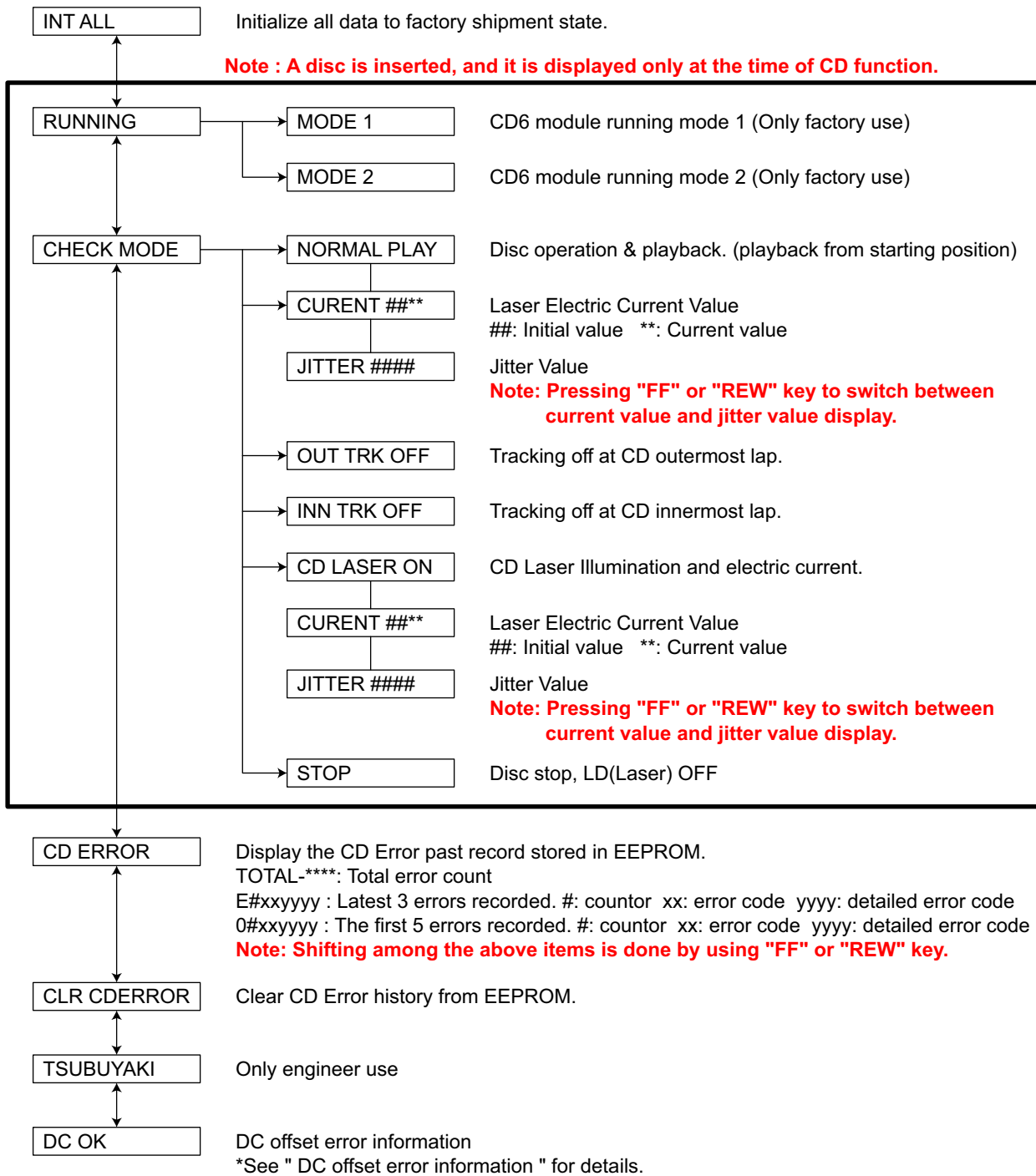


#### 4.6 SERVICE MODE

Operating key: [MENU] → [DOWN] (3 sec)

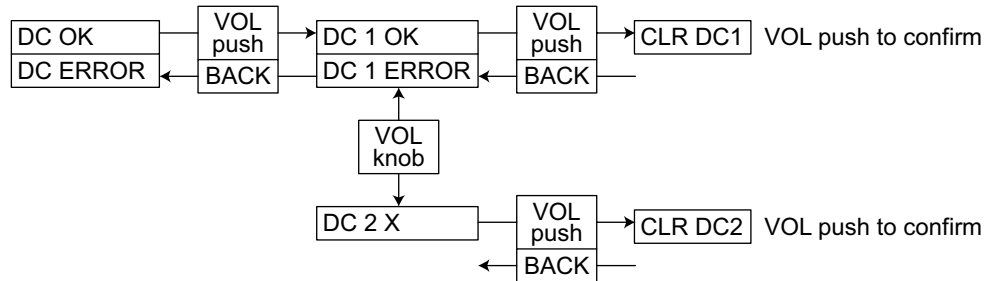
Navigation key : Press [SEL] in any main display item to select that option.

Volume Knob Turn: forward and backward selection



## 4.7 DC OFFSET ERROR INFORMATION

### 4.7.1 Display indication



### 4.7.2 DC offset error distinction.

#### (1) DC ERROR 1

When improper connection or other DC offset errors are detected.

"PROTECT" blinks to the display.

It is possible to return even times how many by reset.

#### (2) DC ERROR 2

When the DC offset error is detected due to the trouble of the capacitor.

- The number of times that detected in the case of less than 3 times.

"PROTECT" blinks to the display.

It is possible to return to the 3rd times by reset.

- When the detected number becomes 4 times.

"PROTECT" lights to the display.

It is fixed that trouble occurs internally, and reset doesn't return either.

( Operation other than the Power on/off, Eject, Reset, and Service mode are prohibited with "PROTECT" lit.

### 4.7.3 Error content confirmation.

Whether it turns on power and the "PROTECT" display appears are confirmed.

#### (1) When the "PROTECT" display appears.

The content of the DC offset error is confirmed in the Service mode.

\* Because it takes DC offset protection, the following is displayed.

"DC ERROR"

##### (1-1) When "DC1 ERROR" is displayed. (DC ERROR1)

- Forecast cause

It comes in contact with improper connection or GND of the speaker wiring.

It is confirmed that there is no improper connection of the speaker wiring and pushes reset.

- When "PROTECT" is not displayed, it is unquestionable.

The error data of EEPROM, it deletes it. (CLR DC1)

- When "PROTECT" is still displayed.

The DC offset has been generated by the reasons other than the improper connection.

Forecast cause: Power AMP is broken.

After parts are exchanged, reset is confirmed pushing again.

##### (1-2) When "DC2 X" is displayed. (DC ERROR2)

\* As for X, the detected number is displayed. (0-4)

\* When X is 0, it is unquestionable because the DC offset has never been detected.

When leak of capacitor is detected, it is displayed.

It is confirmed that there is no problem in the capacitor and deletes the error data of EEPROM. (CLR DC2)

It is confirmed that reset is pushed and "PROTECT" is not displayed.

After above-mentioned (1-1) and (1-2) are executed, the content of the DC offset error is confirmed in the Service mode.

If the part displayed as "DC ERROR" becomes "DC OK", it is unquestionable.

#### (2) When the "PROTECT" display doesn't appear.

The content of the DC offset error is confirmed in the Service mode.

(2-1) When "DC OK" is displayed, it is unquestionable because the DC offset has not been detected in the past.

(2-2) When "DC ERROR" is displayed, the confirmation similar to (1-1) and (1-2) is done because there is a history that detected the DC offset error in the past.

## 4.8 TUNER SERVICE MODE

Key operation (FM and AM mode)

Enter service mode: [SEL] → [MENU] (3 sec)

Exit service mode: press [ENTER] (SEL) key.

Go to next item: press [DISP] key

Back to previous item: press [BACK] key

**VER=#\*\*\*** MICON version display  
# indicates destination: J=USA, U=OTHERS (eg. ASIA), R=EUROPE, E=EASTERN EUROPE  
\*\*\* indicates version No.

**CD6V#####** CD module version display.

**#####** Tuner device and version identification display  
Display :TOM V3 for TOMIC V3 tuner.  
Display: ATOM V5 for ATOMIC V5 tuner.

**TINJ= ##** Tuner injection indicator  
"##" indicates current tuner injection.

### FOR RDS ONLY

**PI =#####** PI display of receiving station, "#####" indicates PI code.

**PTY=##** PTY display of receiving station (00~29), "##" indicates PTY code.

**TP=#TA=\*** TP, TA display of receiving station  
"#" indicates TP ON/OFF: 1=ON; 0=OFF;  
"\*" indicates TA ON/OFF: 1=ON; 0=OFF.

**MS=#DI=\*** M/S, DI display of receiving station  
"#" indicates M/S ON/OFF: 1=ON; 0=OFF;  
"\*" indicates DI ON/OFF: 1=ON; 0=OFF.

**AF=#####** Display the contents of AF memory (by scrolling) "#####" indicate AF frequencies.

**LEV= ##H** Field strength indicator.

**U&W= ##H** Adjacent and Multi path noise level indicator.

**IFC= ##H** IF COUNTER result indicator.

**IFBW= #** FM IF filter bandwidth indicator.

**RFAGC=##** FM RF AGC resulting attenuation.

**IFAGC=##** FM IF AGC resulting attenuation.

**##\*\*** CLOCK display of receiving station (Original DISP key operation)

**#####** FOR RDS ONLY  
PS NAME display of receiving station (Original DISP key operation)

**#####** FREQUENCY display of receiving station (Original DISP key operation)

## 4.9 ERROR CODE

### 4.9.1 Mechanical Error Detail Codes

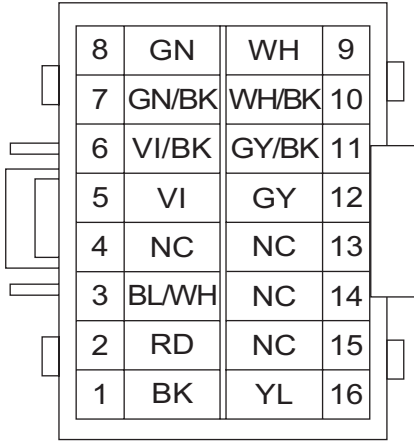
Condition	Details	Error code	Detailed code
LOADING Error	Error without SW change in LOAD when time-out is done		
B1 time out	When there is no change in the state of the switch from the state with DISC forward.	09	0011
C1 time out	When there is no change in the state of the switch from the state that DISC is drawn in a half.	09	0012
B2 time out	When there is no change in the state of the switch from the state that DISC is in the interior.	09	0015
EJECT Error	Error without SW change in EJECT when time-out is done.		
B1 time out	When there is no change in the state of the switch from the state that DISC is in the interior.	01	0023
C2 time out	When there is no change in the state of the switch from the state that DISC is drawn in a half.	01	0026
B2 time out	When there is no change in the state of the switch in EJECT from initial LOAD ERROR.	01	0027
FORCE EJECT Error	Transition to Force EJECT waiting or Force EJECT transition from error Error by abnormal SW.		
E1 FORCE EJECT ERROR	When detect abnormal SW from the state of NO DISC	01	0041
E2 FORCE EJECT ERROR	When detect abnormal SW from the state with DISC forward in LOAD.	01	0042
E3 FORCE EJECT ERROR	When detect abnormal SW from the initial state.	01	0043
E5 FORCE EJECT ERROR	When detect abnormal SW from the state that half DISC is drawn in LOAD and EJECT.	01	0045
E7 FORCE EJECT ERROR	When detect abnormal SW from the atate that DISC is in the interior in LOAD and EJECT.	01	0047
E8 FORCE EJECT ERROR	When receive Force EJECT key after it makes an error from Force EJECT.	01	0048
E9 FORCE EJECT ERROR	When receive Force EJECT key after it makes an error from LOAD error or EJECT error.	01	0049
Error in Running mode			
Case 1	When DISC was extracted or fall in EJECT END and EJECT START.	09	0031
Case 2	When DISC is pushed in EJECT END.	09	0032

### 4.9.2 Disc error code

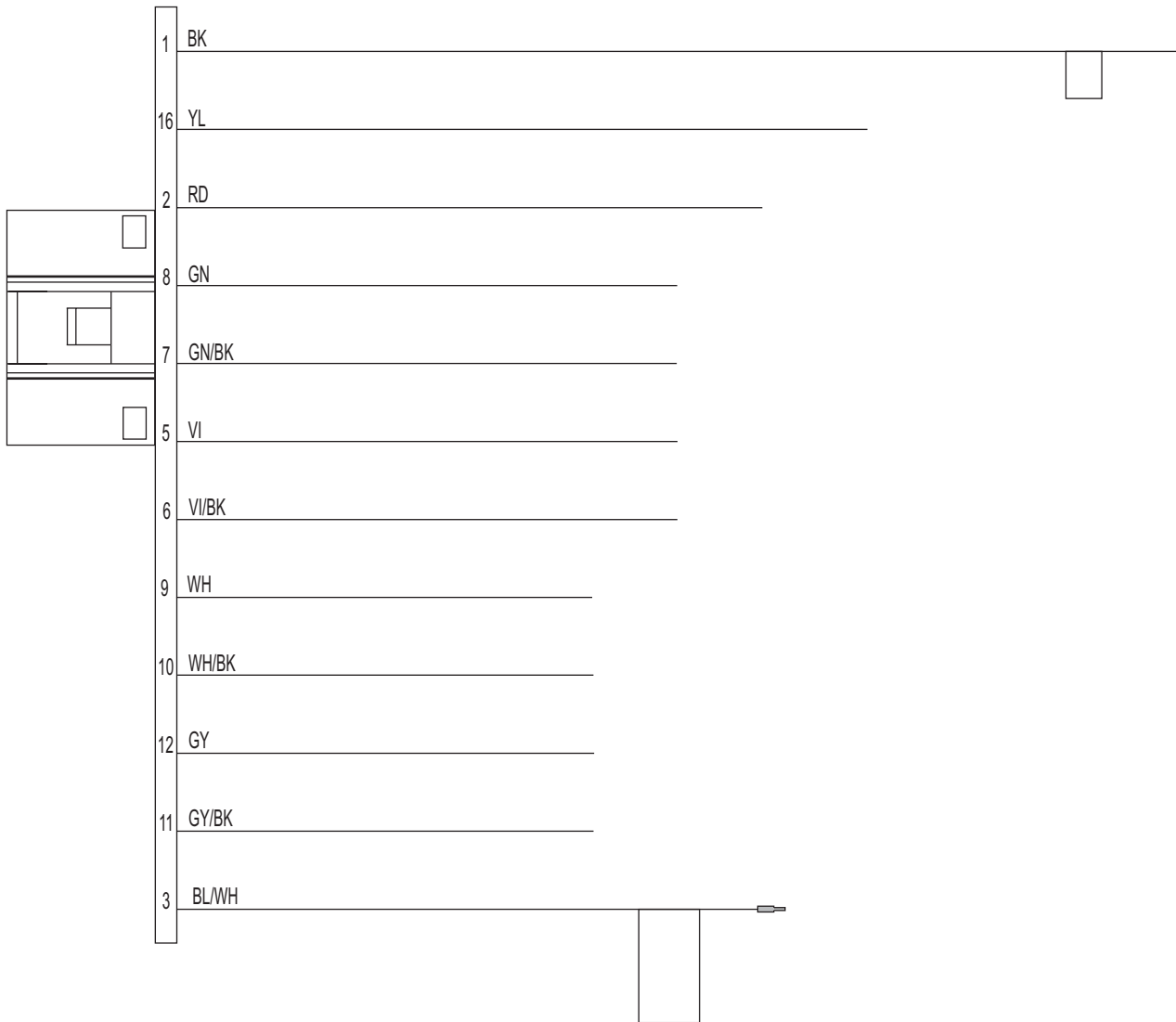
Condition	Details	Error code	Detailed code
TOC READING Error	When it hasn't completed CD TOC reading.	84	0059
1'st track access Error	It doesn't end even if the first track access passes 30sec after the TOC reading ends in the running mode.	80	0060
Last track access Error	It doesn't end even if the last track access passes 30sec after the first track ends in the running mode.	80	0061
NODISC judgement	It be judged NODISC.	80	0090
NO DISC with start failure	Not possible to start.	80	0091
Stopped with no playback	When it was stopped in playback in the running mode.	80	0093
Logical format NG	Analysis of logical format is impossible or it does not correspond to logical formats.	80	0094

# SECTION 5 TROUBLESHOOTING

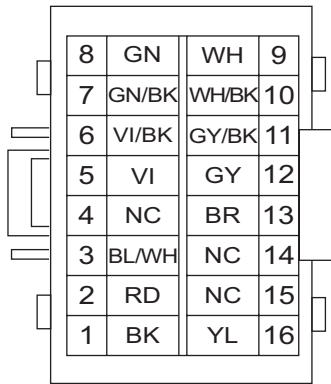
## 5.1 16 PIN CORD DIAGRAM (For KW-XR418)



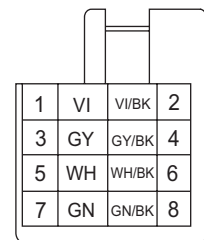
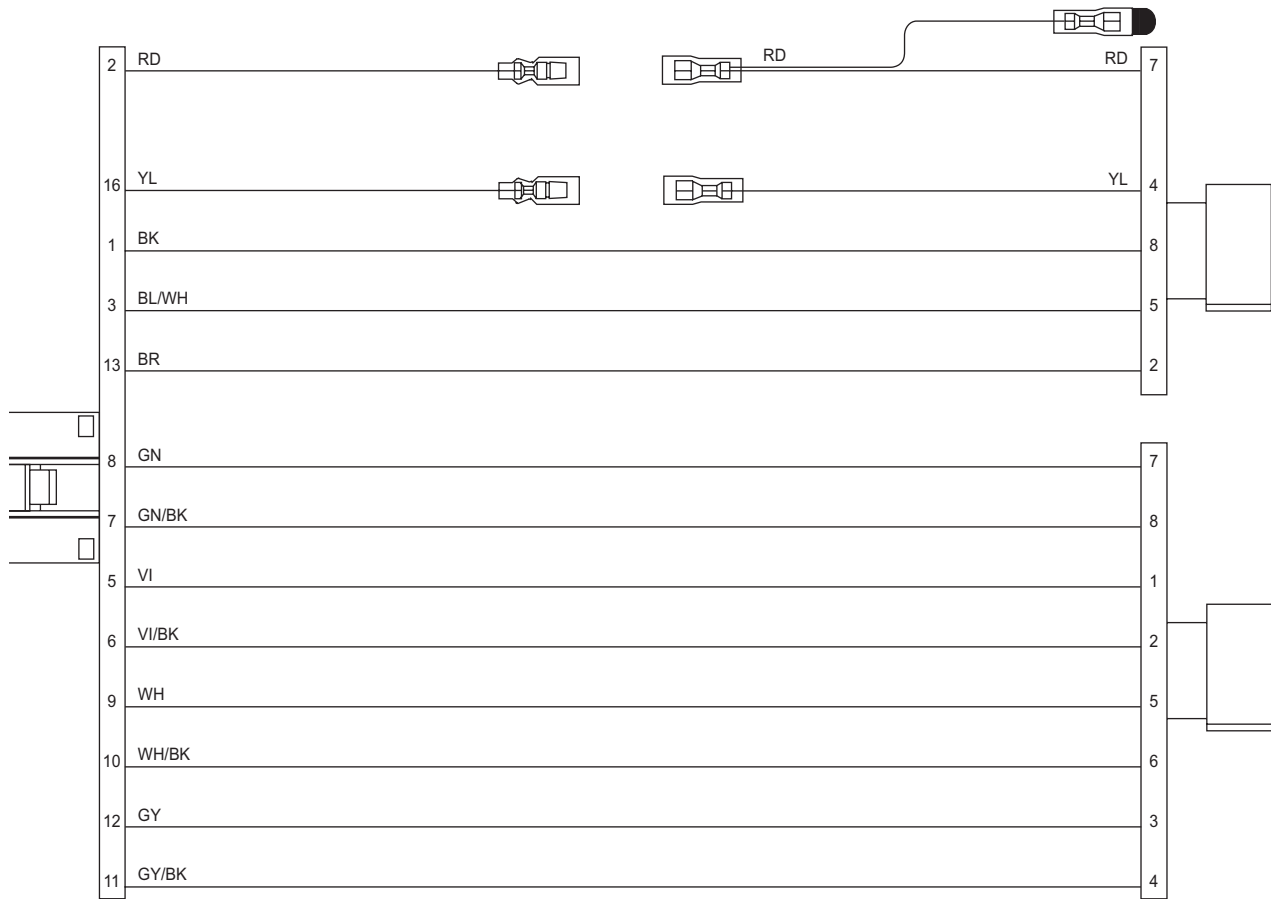
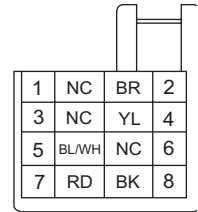
BK	Black	VI	Violet
RD	Red	GN	Green
BL	Blue	GY	Gray
WH	White	YL	Yellow



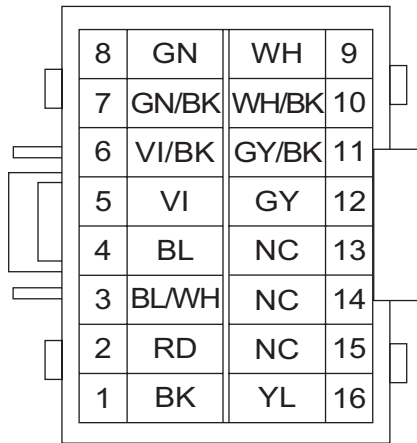
5.2 16 PIN CORD DIAGRAM (For KW-XR411, KW-XR417)



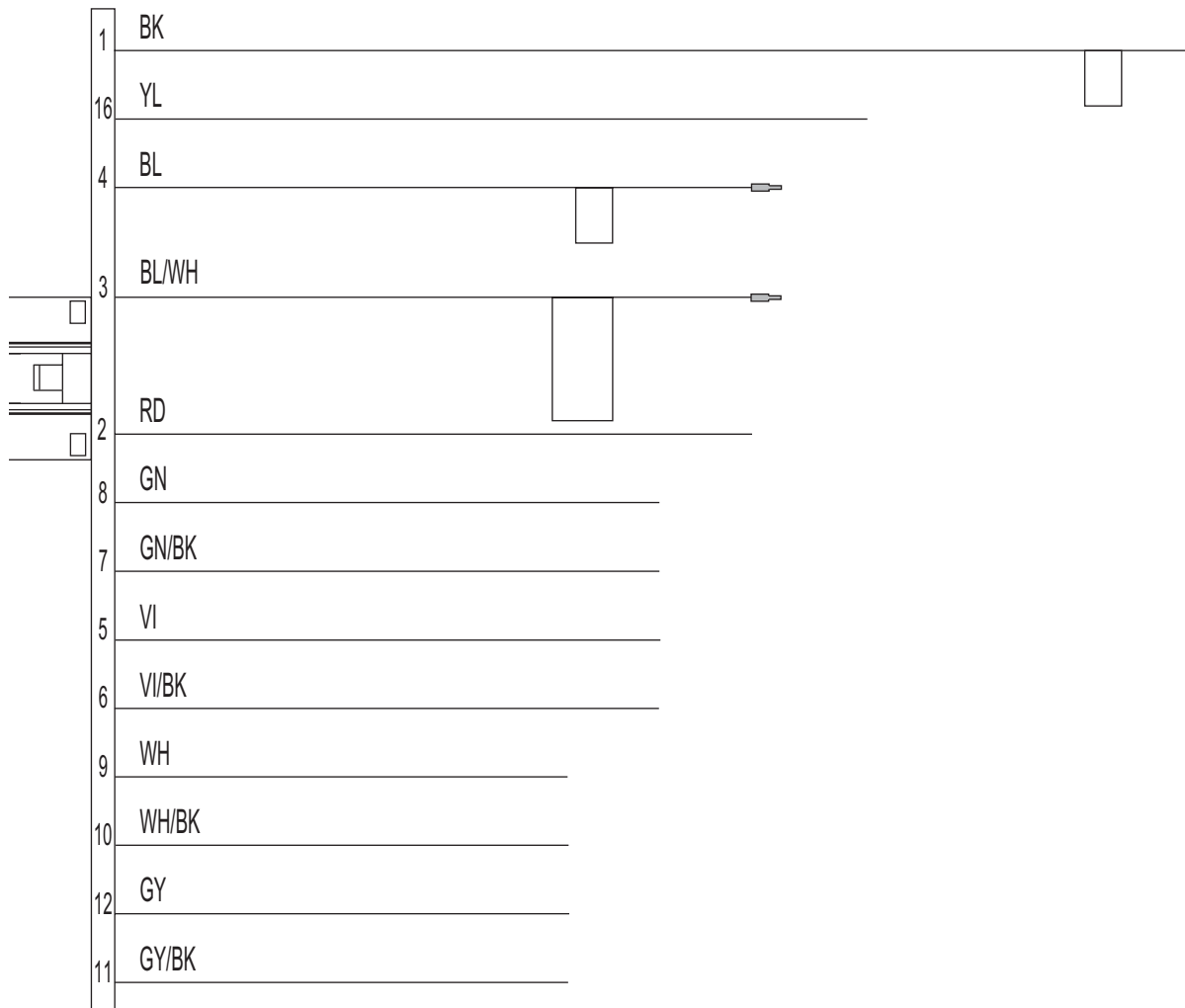
BK	Black	GN	Green
RD	Red	GY	Gray
BL	Blue	BR	Brown
WH	White	YL	Yellow
VI	Violet		



5.3 16 PIN CORD DIAGRAM (For KW-XR416, KW-XR416D, KW-XR414)



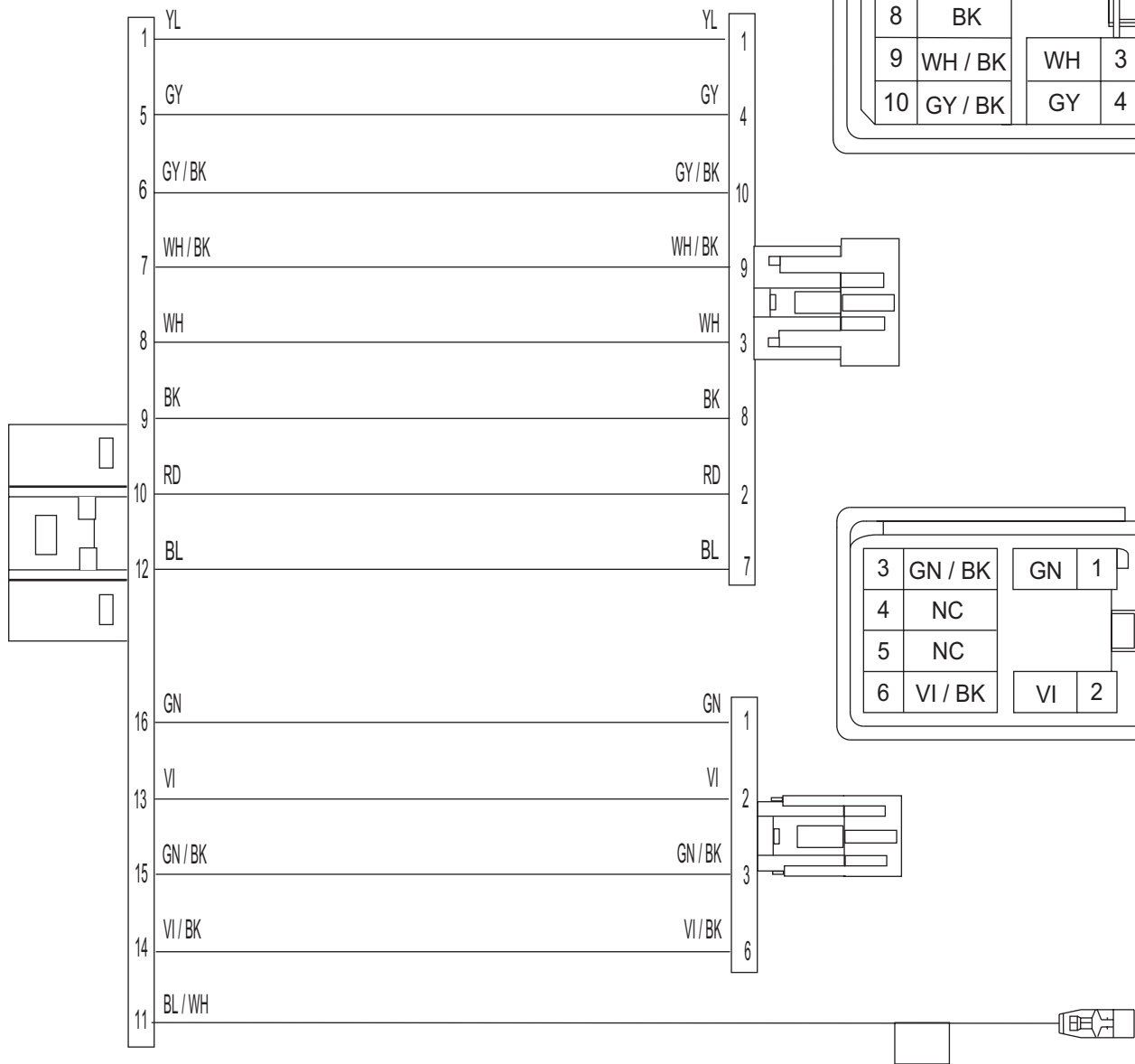
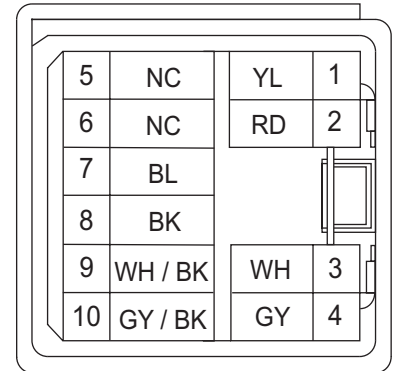
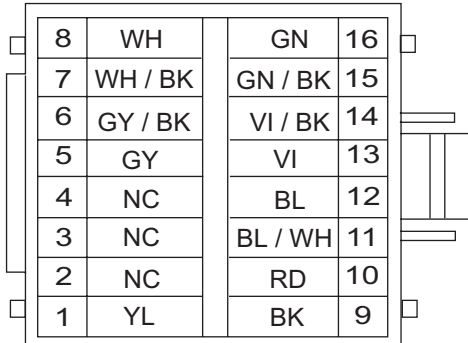
BK	Black	VI	Violet
RD	Red	GN	Green
BL	Blue	GY	Gray
WH	White	YL	Yellow



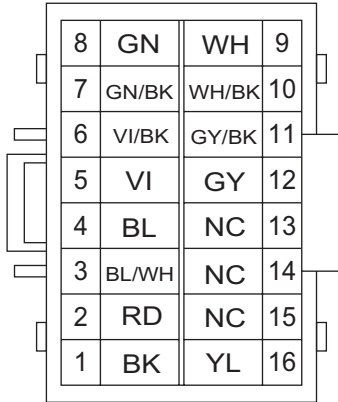


5.4 16 PIN CORD DIAGRAM (For KW-XG56T)

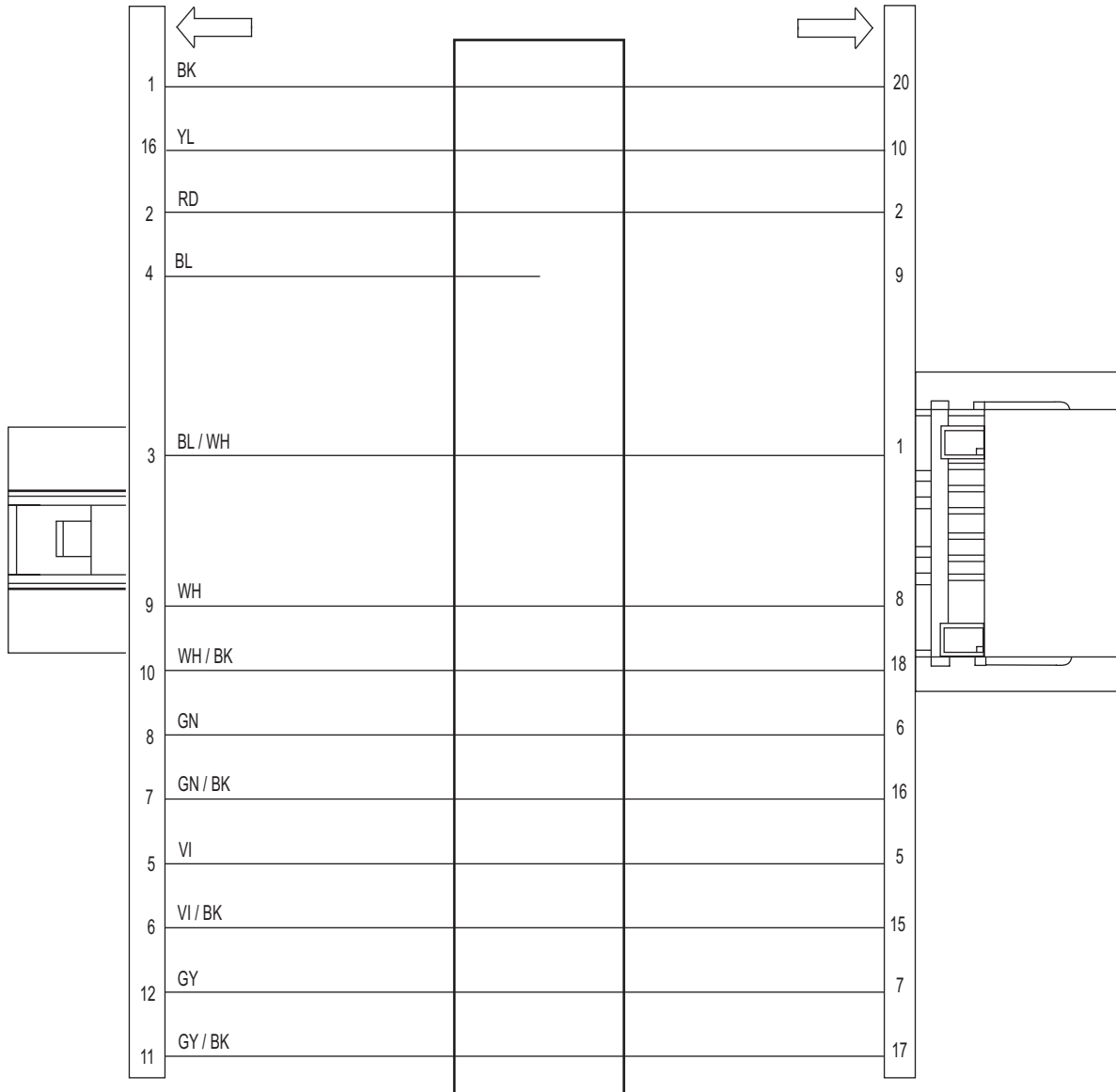
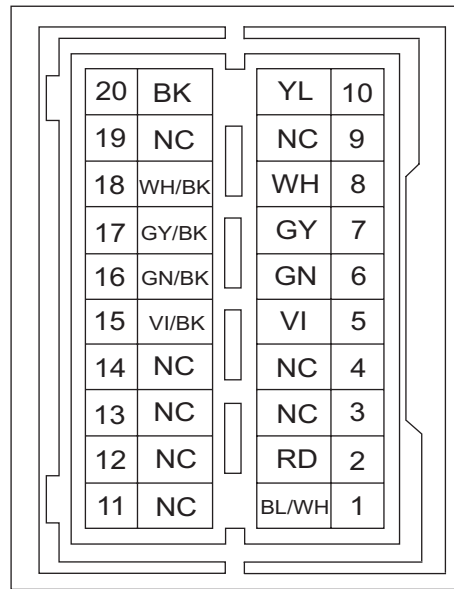
BK	Black	GN	Green
GY	Gray	VI	Violet
WH	White	BL	Blue
YL	Yellow	RD	Red



5.5 16 PIN CORD DIAGRAM (For KW-XR416SUN)



BK	Black
RD	Red
BL	Blue
VI	Violet
GN	Green
WH	White
GY	Gray
YL	Yellow







**JVC**

Victor Company of Japan, Limited  
J&K Car Electronics Corporation 2967-3, Ishikawa-machi, Hachioji-shi, Tokyo, 192-8525, Japan

---

(No.MA471<Rev.005>)

Printed in Japan  
VSE